

Fire Fighting Equipment

Valves, Fire Hose, Fire Cabinets, Hydrants

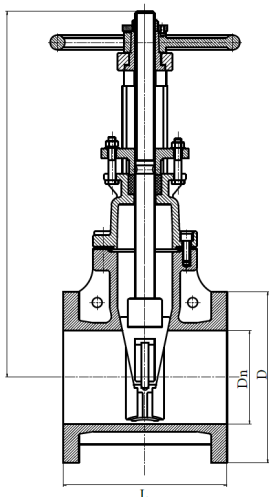


INDEX

Fire Valves	3
Gate Valve	3
Indicator Post	4
Butterfly Valve	5-6
Check Valve	7-8
Other Valves	9
Y Strainer	10
Fire Hose	11
Fire Hose Accessories	12
Landing Valve	13
Breeching Inlet	14
Fire Blanket	15
Fire Hose Reel	16
Fire Cabinet	17-19
Single Cabinet	17
Vertical Double Cabinet	18
Horizontal Double Cabinet	19
Breeching Inlet Cabinet	19
Hydrant	20-23
Six-Way Manifold Hydrant	20
Dry Barrel	21
Wet Barrel	22-23

Gate Valve

Gate Valves are valves that open by lifting a round or rectangular gate/wedge out of the path of the fluid. They are characterized as having either a rising or a non-rising stem. BRISTOL Gate Valves are made of high quality materials and conform to international and local standards



Specification

Approvals:..... UL and FM
 Nominal Pressure: 300 PSI
 Flange Standard: ASME/ ANSI B 16.1 Class 125 or ASME/ ANSI B 16.42 Class 150 or BS EN 1092-2 PN16
 Sizes:..... 2-1/2" , 3" , 4" , 5" , 8" , 10" , 12"
 Max. Working Pressure:.. 300 PSI
 Max. Testing Pressure:....600 PSI
 Max. Working Temp.:.....80°C / 176°F

Materials

Body..... Ductile Iron ASTM A536 65-45-12
 Disc:..... Ductile Iron + EDPM
 Packing:..... Graphite
 Handwheel: Ductile Iron ASTM A536 65-45-12
 Coating Details:..... Epoxy coated interior and exterior by Electrostatic Spray

Models:

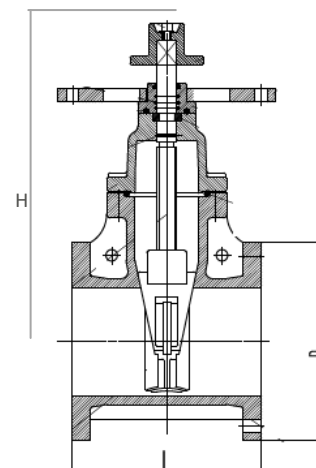
OSY GVO-3FFA (PN16); GVO-3FFAE (ANSI 125 & ANSI 150)
NRS GVN-3FFA (PN16); GVN-3FFAE (ANSI 125 & ANSI 150)

Outside Stem & Yoke

Size Options	DN65	DN80	DN100	DN125	DN150	DN200	DN250	DN300
L (mm)	190	203	229	254	267	292	330	356
D (mm)	178	191	229	254	279	343	406	483
H (mm)	370	420	447	547	607	754	890	1031

Non Rising Stem

Size Options	DN65	DN80	DN100	DN125	DN150	DN200	DN250	DN300
L (mm)	190	203	229	254	267	292	330	356
D (mm)	178	191	229	254	279	343	406	483
H (mm)	292	322	342	412	448	534	635	720





Gate Valves Accessories

Non-Rising Stem Gate Valves alone cannot be identified if open or closed by visual inspection. Accessories such as indicator posts are necessary to supervise these valves. BRISTOL Indicator Posts complement BRISTOL NRS Gate Valve but are also compatible to other gate valves of the same standards.

Specification

Design Standard:ANSI/UL 789

Orientation: Wall Post/ Ground Post

Body: Ductile Iron ASTM A536

Finishing: Fusion Bonded Epoxy
Coated Interior and Exterior
RAL3002

Indicator Post

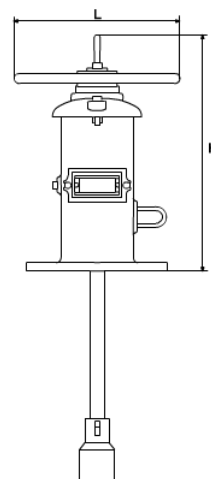
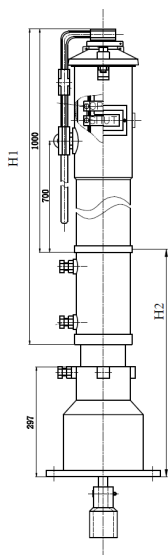


W388

G388

Dimension

MODEL Series	G388	W388
Type	Ground Post	Wall Post
H1	1002mm	L= 355mm
H2	450mm	H= 506mm





Butterfly Valve

Butterfly Valves are valves which can be used for isolating or regulating flow, with the closing mechanism in the form of a disk. BRISTOL Butterfly Valves are supervised and can be used for indoor and outdoor application.



LISTED EX16012



APPROVED

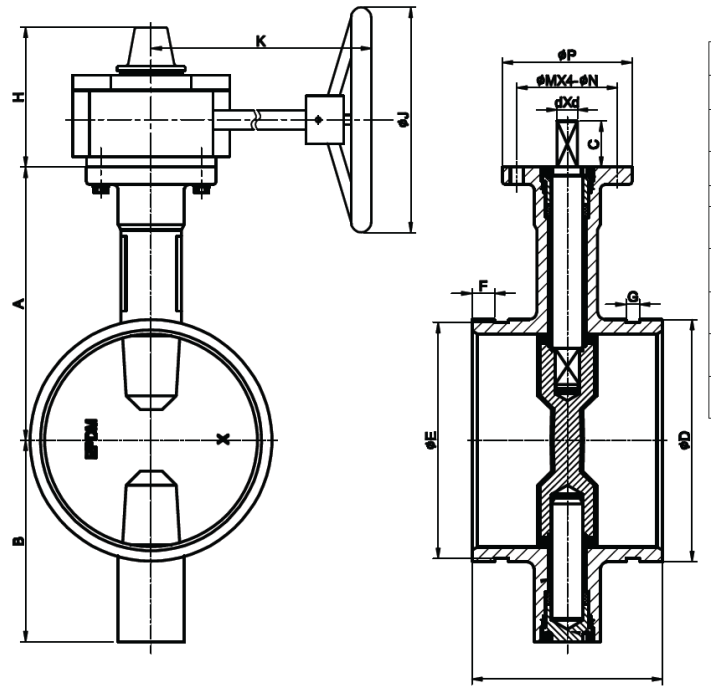
Groove Type

Specification

- Approvals:..... UL and FM
- Conforms:..... ANSI/ AWWA C606
- Connection:..... Grooved End
- Top Flange Standard:.... ISO 5211
- Sizes:..... 2-1/2" , 3" , 4" , 5" , 8" , 10" , 12"
- Max. Working Pressure:.. 300 PSI
- Max. Testing Pressure:.... 600 PSI
- Max. Working Temp.:..... 80°C / 176°F

Materials

- Body..... Ductile Iron ASTM A536 65-45-12
- Disc + Rubber Seat..... Ductile Iron + EDPM
- Coating Details:..... Epoxy coated interior and exterior by Electrostatic Spray



MODEL Series	BV-G31															
Size Options	A	B	C	D	E	F	G	H	K	J	P	M	N	D	L	
2"	110	85	32	60.3	57.15	15.9	7.9	111	153	218	152	90	70	9	10	88
2.5"	125	95	32	73 761.1	69.1 72.3	15.9	7.9	111	153	218	152	90	70	9	10	96.4
3"	140	100	32	88.9	84.9	15.9	7.9	111	153	218	152	90	70	9	11	97
4"	160	100	32	114.3	110.1	15.9	9.5	111	153	218	152	90	70	9	14	1151
5"	170	125	32	139.7 141.3	135.5 137	15.9	9.5	111	153	218	152	90	70	9	14	132.4
6"	190	140	32	165.1 168.3	160.9 164	15.9	9.5	111	153	218	200	90	70	9	16	132.4
8"	230	175	32	219.1 216.3	214.4 211.6	19	11.1	126	210	232	300	125	102	12	19	147.4
10"	260	200	45	267.4 273	262.6 268.3	19	12.7	126	210	232	300	125	102	12	24	159
12"	300	240	45	318.5 323.8	312.9 318.3	19	12.7	161		249	350	150	125	14	26	165



Butterfly Valve

Butterfly Valves are valves which can be used for isolating or regulating flow, with the closing mechanism in the form of a disk.

BRISTOL Butterfly Valves are supervised and can be used for indoor and outdoor application.



LISTED EX16012



Wafer Type

Specification

Approvals:..... UL and FM

Flange Standard:.....ANSI 125/ 150, DIN2501 PN10/16

Connection:.....Wafer End

Top Flange Standard:.... ISO 5211

Sizes:..... 2-1/2" , 3", 4", 5", 8", 10", 12"

Max. Working Pressure:..300 PSI

Max. Testing Pressure:....600 PSI

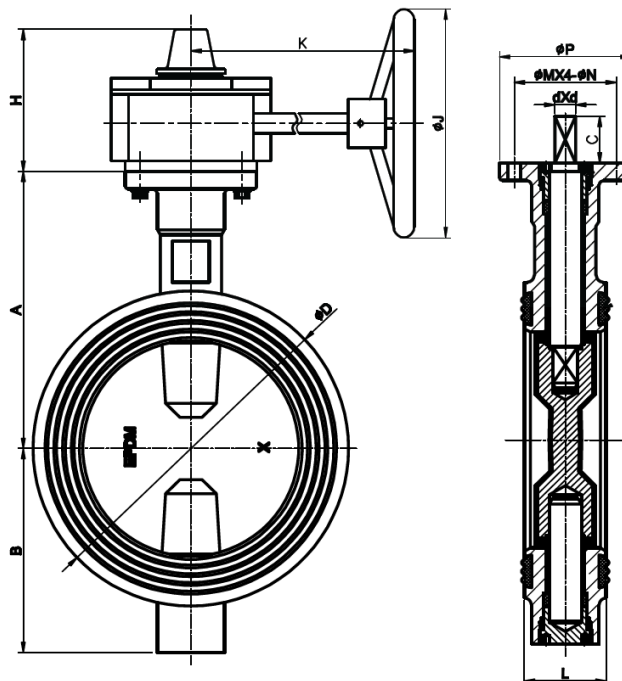
Max. Working Temp.:.....80°C / 176°F

Materials

Body..... Ductile Iron ASTM A536 65-45-12

Disc + Rubber Seat..... Ductile Iron + EDPM

Coating Details:..... Epoxy coated interior and exterior by Electrostatic Spray



Dimension

MODEL	BV-W31												
Size	A	B	C	D	H	K	J	P	M	N	d	L	
2"	110	85	32	100	111	153	218	152	90	70	9	10	42
2.5"	125	95	32	112	111	153	218	152	90	70	9	10	44.2
3"	140	100	32	120	111	153	218	152	90	70	9	11	45.3
4"	160	100	32	161	111	153	218	152	90	70	9	14	52
5"	170	125	32	182	111	153	218	152	90	70	9	14	54.4
6"	190	140	32	216	111	153	218	200	90	70	9	16	55.8
8"	230	175	32	260	126	210	232	300	125	102	12	19	60.5
10"	260	200	45	320	126	210	232	300	125	102	12	24	66.5
12"	300	240	45	375	161	249	350	150	125	14	26	76.9	



Non-Return / Check Valve

Swing Type — Grooved

Non-Return Valves or Check Valves are valves that normally allow fluid to flow through it in only one direction. BRISTOL Check Valves are swing type with a tilted clapper. BRISTOL Check Valves clapper design produces quick, non-slam closure before flow reversal can occur meeting the FM requirements for an anti-water hammer valve rating.



Specification

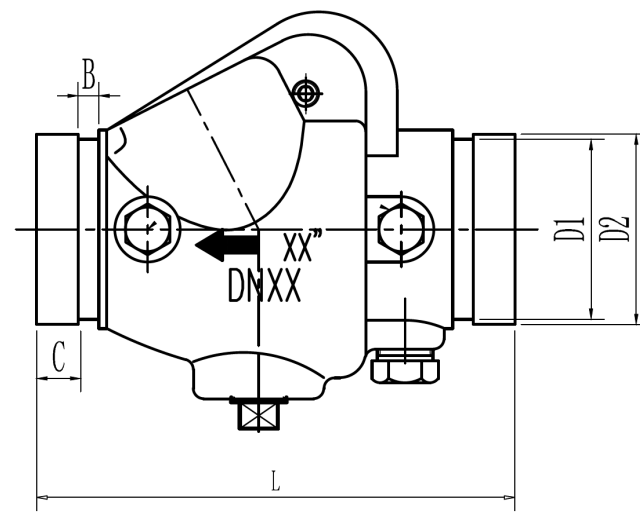
- Approvals:..... UL and FM
- Grooved Standard:..... ANSI / AWWA C606
- Flange Standard:..... ASME/ ANSI B16.1 Class 125 or ASME/ ANSI B16.42 Class 150 or BS EN1092-2 PN16
- Sizes:..... 2-1/2" , 3" , 4" , 5" , 8" , 10" , 12"
- Nominal Pressure:..... 350 PSI
- Max. Working Pressure:... 350 PSI
- Max. Testing Pressure:... 700 PSI
- Max. Working Temp.:.....80°C / 176°F

Materials

- Body..... Ductile Iron ASTM A536 65-45-12
- Clapper:..... Stainless Steel 304 ASTM A276
- Seat Ring:..... C95400 ASTM A148
- Coating Details:..... Epoxy coated interior and exterior by Electrostatic Spray

APPLICATION:

- Use in one-way flow pipeline to prevent the water from back flow.



Dimension

MODEL		CVS-35GGY				
Inlet/Outlet D _N	L	D1	D2	B	C	
2"	169	57.15	60.3	7.95	15.88	
2.5"	181	69.09	73	7.95	15.88	
		72.26	76.1			
3"	198	84.94	88.9	7.95	15.88	
4"	214	110.08	114.3	9.53	15.88	
5"	248	135.48	139.7	9.53	15.88	
		137.03	141.3			
6"	270	160.78	165.1	9.53	15.88	
		163.96	168.3			
8	325	211.6	216.3	11.13	19.05	
		214.4	219.1			
10"	457	268.3	273	12.7	19.05	
12"	535	318.3	323.9	12.7	19.05	



Non-Return / Check Valve

Swing Type — Flange

Non-Return Valves or Check Valves are valves that normally allow fluid to flow through it in only one direction. Check valves work automatically and most are not controlled by a person or any external control; accordingly, most do not have any valve handle or stem.



Specification

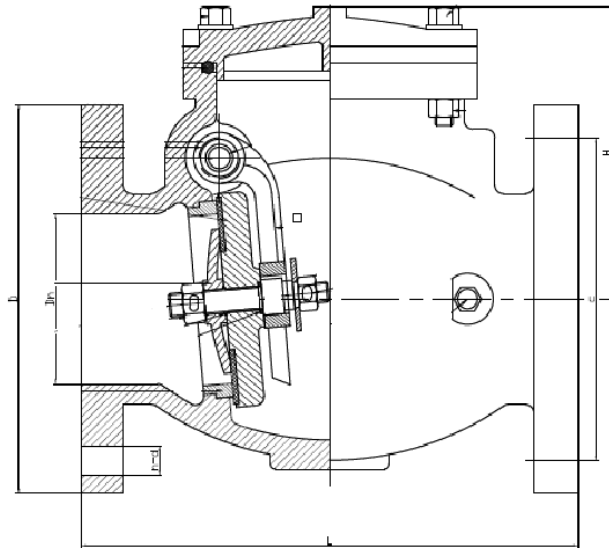
- Approvals:..... UL and FM
- Conforms:..... AWWA C508
- Flange Standard:..... ASME/ ANSI B16.1 Class 125 or ASME/ ANSI B16.42 Class 150 or BS EN1092-2 PN16
- Face to Face Standard: ASME B16.10
- Sizes:..... 2-1/2", 3", 4", 5", 8", 10", 12"
- Nominal Pressure:..... 300 PSI
- Max. Working Pressure:..300 PSI
- Max. Testing Pressure:.... 600 PSI
- Max. Working Temp.:.....80°C / 176°F

Materials

- Body..... Ductile Iron ASTM A536 65-45-12
- Disc:.....Ductile Iron + EDPM
- Seat Ring:..... C95400 ASTM A148
- Coating Details:..... Epoxy coated interior and exterior by Electrostatic Spray

APPLICATIONS:

- Used both vertically and horizontally
- Use in one-way flow pipeline to prevent the water from back flow.



Dimension

MODEL		CVS-3FFXY					
Inlet/Outlet D _N	D _n	L	D	c	n-d	H	
2"	51	203	152	120.5	4-Ø19	142	
2.5"	64	216	178	139.5	4-Ø19	148	
3"	80	241	191	152.5	4-Ø19	163.5	
4"	100	292	229	190.5	8-Ø19	172	
5"	126	330	254	216	8-Ø22	237	
6"	152	356	279	241.5	8-Ø22	233	
8	204	495	343	298.5	8-Ø22	301	
10"	254	622	406	362	12-Ø25	348	
12"	302	698	483	432	12-Ø25	419	



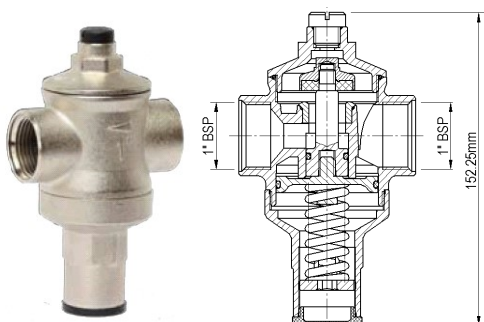
Test and Drain Valve

UL listed, FM Approved



MODEL	BF-VT001
Coupling	1" M NPT X 1" F NPT
Body Material	Brass
Working Pressure	175psi

Pressure Reducing Valve



MODEL	BFE06068	
Inlet/Outlet	D _N	1"
	Type	M BSPT
Body Material	Brass / Chrome Plated	
Working Pressure	Up to 20bar	
Test Pressure	24bar	

Lock Shield Valve



MODEL	BFE06039
Valve Type	Gate
Connection	1" F.BSPT
Body material	Brass
Working Pressure	16bar
Test Pressure	24bar

Air Release Valve



MODEL	BFE090203
Standard	BS 5041-3
Test Pressure	24bar
Inlet Coupling Type	DN25 Male BSPT
Body Material	Brass
Body Color	Cast Brass



Y Strainer

Y-Strainers are used in straining debris from pipelines. They are fitted in the field with nipples and drain valves to permit the strainer screen to be cleaned while the system is still in process. BRISTOL Y-Strainers are compact and economical while also adhere to international and local standards.



LISTED EX16208



Flanged Type
BFE70FF



Flanged X Grooved Type
BFE70FG



Grooved Type
BFE70GG

Specifications

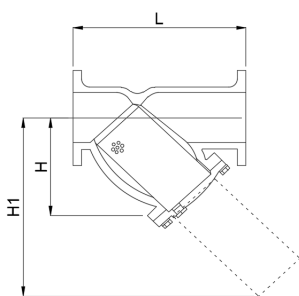
Design Standard: UL Subject 321
 Working Pressure: 300psi
 Type: Basket Type "Y" Strainer
 Connection Type: Flange EN 1092 PN16 / ANSI B16.1 Class 125 / ANSI (Flanged Type) B16.5 Class 150
 (Flanged x Grooved Type) Inlet Coupling → Flange ANSI 125
 Outlet Coupling → Groove AWWA C606~
 (Grooved Type) Groove AWWA C606 (Inlet & Outlet)

Materials

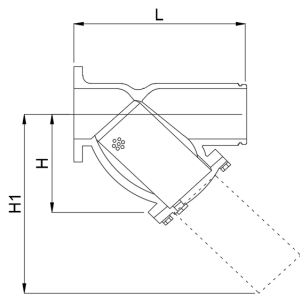
Body: Ductile Iron ASTM A-536 Grade 65-45-12
 Cover: Ductile Iron ASTM A-536 Grade 65-45-12
 Screen: Stainless Steel AISI 304
 Gasket: EPDM
 Plug: Carbon Steel

Dimension

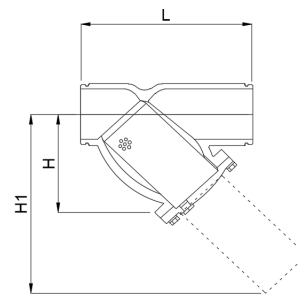
MODEL Series	BFE70FF / BFE70FG / BFE70GG								
Size Options	DN50	DN65	DN80	DN100	DN125	DN150	DN200	DN250	DN300
Approximate Head Loss	7.22psi @ 157.63gpm	5.89psi @ 224.86gpm	8.24psi @ 347.53gpm	5.88 @ 598.54gpm	7.63psi @ 940.70gpm	4.82psi @ 1358.85gpm	5.83psi @ 8405.84gpm	7.25psi @ 3795.17gpm	5.73gpm @ 5442.11gpm
L (mm)	203	254	260	308	398	472	550	654	762
H (mm)	132	158	175	202	290	334	391	460	590
H1 (mm)	195	240	270	320	425	495	570	700	840
Mesh Hole (mm)	3.4	3.4	3.4	4.9	4.9	6.0	6.6	6.6	6.6



BFE70FF



BFE70FG



BFE70GG



Fire Hoses

Fire Hoses are high pressure hoses that carry water or other fire retardant such as foam from the supply to the fire to be extinguished. BRISTOL Fire Hoses compliance comes in different sizes, length and assemblies, and comply to both international and local standards. BRISTOL also offers accessories that complement these hoses.

BRISTOL Fire Hoses are made with polyester and its inner-lining with EPDM to ensure low friction loss and maximum flow while maintaining high durability.

Features

- Strong and Highly Protected
- Abrasion and puncture resistant
- Chemical Resistance
- Resists contact with oil, hydrocarbons, alkalis, salt water, etc
- Weather Resistance
- Remain flexible at the temperature as low as - 40 °F / - 40 °C
- Ease of Maintenance
- No drying needed as hose is mildew and rot proof

Specifications

- Inlet Type :..... Male Instantaneous BS336
- Outlet Type : Females Instantaneous BS336
- Coupling Material : Aluminum
- Hose-Coupling Connection:..... Wired
- Length :..... 30m
- Material:..... Polyester
- Inner Lining:..... EPDM
- Color: Red / White
- Approval: UL Listed

MODEL	BF-SJ-001	BF-SJ-002	BF-DJ-003	BF-DJ-004
Nominal Size	1½"	2½"	1½"	2½"
Material	Single Jacket - Polyester		Double Jacket - Polyester	
Working Pressure	14 Bar (200PSI)	14 Bar (200PSI)	21 Bar (300PSI)	21 Bar (300PSI)
Test Pressure	28 Bar (400 PSI)	28 Bar (400 PSI)	42 Bar (600 PSI)	42 Bar (600 PSI)
Burst Pressure	42 Bar (600 PSI)	42 Bar (600 PSI)	63 Bar (900 PSI)	63 Bar (900 PSI)

Accessories

Spray/Fog/Off Nozzle

- Approval:..... UL Listed
- Standard :..... UL 401
- Material :..... Brass C3604
- Working Pressure :..... 100psi
- Service Pressure :..... 20 — 200 PSI



MODEL	BF-40	BF-65
Inlet	D _N	2½"
Type	1½"	Female NST
Maximum Flow Rate	130±5 gal/m	280±5gal/m

Accessories and Components



Coupling

Inlet Type : Male Instantaneous BS336
 Outlet Type : Male NST
 Material : Brass



MODEL		BF-AD-000	BF-AD-001
Inlet	D _N	1½"	2½"
Outlet	D _N	1½"	2½"

Angle - Pressure Restricting Valve

Standard : ANSI/ UL 1468
 Outlet Coupling Type:.. DN65 Female NPT
 Valve Type:..... Pressure Restricting
 Working Pressure:..... 12bar
 Test Pressure:..... 24bar
 Working Temperature:.. 0°C to 38°C
 Body Material:..... Brass
 Body Color:..... Plain Brass



Branch Pipe Nozzle

Material Aluminum Alloy BS1490
 Working Pressure : 100 psi
 Mode Jet/Spray/Off



MODEL	Inlet	Outlet
BF-HV121	1.5" Female NPT	1.5" Female NPT
BF-HV221	2.5" Female NPT	2.5" Female NPT
RA15F	1.5" Female NPT	1.5" Female NPT
RA25F	2.5" Female NPT	2.5" Female NPT

MODEL		BF-NZ-001
Inlet	D _N	2½"
	Type	Male Instantaneous BS 336
Outlet Diameter		1/2"
Flow Rate @ 100psi		250L/min

Semi-Automatic Pin Rack

Rack Material :Mild Steel
 Valve Options :Pressure Restricting
 Angle Valve / Regular Angle Valve



MODEL	BFHR-250W	BFHR-250V	BFHR-150W	BFHR-150V
Hose D _N	2½"		1½"	
Rack Type	Wall Mounted	Valve Mounted	Wall Mounted	Valve Mounted

Landing Valves

Landing Valves are valves that provide hose connections to supply water for use by fire departments and those trained in handling heavy fire streams. BRISTOL Landing Valves comply to British Standards and come with threaded or flanged connection options.



Technical Data

Pressure Reducing E-Type Landing Valve

Oblique Flanged Landing Valve

Oblique Threaded Landing Valve

MODEL	BFE-2.5LVFP	BFE-2.5LVF	BFE-2.5LVT
Standard	BS 5041-1:1987		
Inlet Coupling Type	DN65 Flange BS4504 PN16		DN65 Male BSPT
Outlet Coupling Type	DN65 Female Instantaneous BS336		
Valve Type	"E" Type - Pressure-Reducing (4-12bar)		Oblique
Min. Flow Rate	8.5L/s @ 4.7bar		
Working Pressure	20bar		15bar
Seat Test Pressure	22bar		16.5bar
Body Strength Pressure	30bar		22.5bar
Body Thickness	4mm		3mm
Working Temperature	0°C to 38°C		
Body Material	LG2		
Body Color	RAL 3000 (Flame Red)		
Accessories	Leather Strap & Padlock		



Breaching Inlet

Bristol breaching inlets are suitable for installation on dry risers only, in a building for fire fighting purposes, fitted with inlet connection at fire brigade access.

Technical Information

- Standard :..... BS 5041-3
- Inlet Coupling Type : DN65 Male Instantaneous BS336 with Clapper
- Outlet Coupling Type:.....BS4504 Flange PN16
- Inlet Material: LG2
- Working Pressure :.....10bar
- Test Pressure :.....20bar
- Working Temperature :..... 0°C to 38°C
- Body Material : Cast Iron
- Body Color :..... RAL 3000 (Flame Red)
- Accessories :..... DN25 PN16 Drain Valve

Available Models:

MODEL	BFE-2WBI	BFE-4WBI
Inlets	2-way	4-way
Outlet Size	DN100	DN150



Fire Blanket

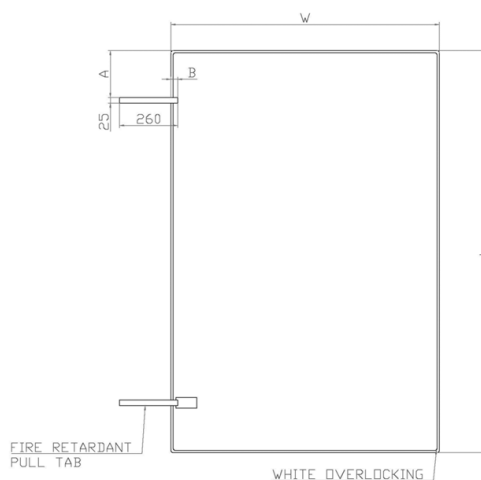
FGC12, FGC18, FGC28

Fire blankets are highly flame-resistant blankets that can be used to extinguish a small fire by smothering or to wrap around a person in case of a fire. They work by cutting off the oxygen supply to the fire.



Cert. No. 1434Ca
EN 1869:2019

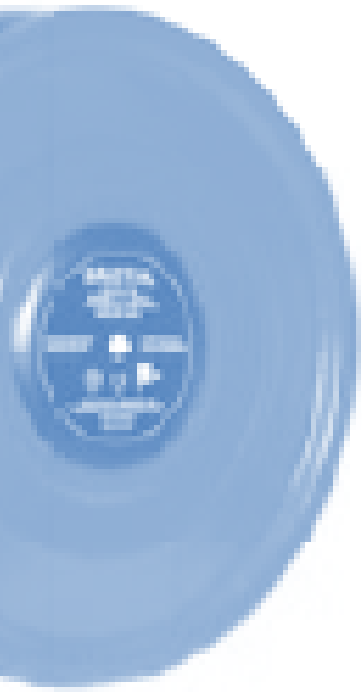
Fire Blanket



Model Variants	Size (m)	W (mm)	L (mm)	A (mm)	B (mm)
FGC12	1.2 x 1.2	1200±15	1200±15	210±10	50±10
FGC18	1.2 x 1.8	1200±15	1800±30	210±10	50±10
FGC28	1.5 x 1.8	1500±15	1800±30	210±10	50±10

PRODUCT SPECIFICATIONS

Description	Fire Blankets Made of Double Side Silicon-Coated Glass Fiber
Reference Standard	EN 1869:2019
Material Type	FGC
Weave Density	Warp: 20±1 ply/cm; Weft: 10±1 ply/cm
Total Weight	431± 17.6 g/m ² (Excluding Silicon Coating)
	490± 20.0 g/m ² (Including Silicon Coating)
Thickness	0.40±0.03 mm
Warp Tensile Strength	≥1800
Weft Tensile Strength	≥740 (N/25x200mm)



Fire Hose Reel

Fire Hoses are high pressure hoses that carry water or other fire retardant such as foam from the supply to the fire to be extinguished. BRISTOL Fire Hoses comply come in different sizes, length and assemblies, and comply to both international and local standards. BRISTOL also offers accessories that complement these hoses.



Cert. No. 1038APa
EN 671-1:2012



Technical Information

Approval: LPCB Approved

Hose Size : 1" & 3/4"

Hose Length : 30m

Mechanism : Manual & Automatic

Hose Material: Double Braided Polyester Cord-Reinforced Rubber

Drum Material : Powder Coated Mild Steel

Test Pressure : 300psi (20 Bar)

Working Pressure: 175psi (12 Bar)

Accessories Included : Nozzle, Ball Valve, Mounting Bracket

Optional Accessories : Lock shield Valve, Pressure-Reducing Valve

Details

MODEL		BF-MS-001N	BFE-AS-002N	BF-MS-003N	BF-AS-004N
Hose	D _N	1"		¾"	
Mechanism		Manual	Automatic	Manual	Automatic

CHARACTERISTICS:

- Full brass waterway which will never rot. We use nipples not hose clamps, to fill in the interface between hose and waterway. Once being screwed tightly, no leakage.
- Hose reel with powder coated and anti-ultraviolet side discs. There can be pressure gauge at the reel axis.
- High pressure resistance; Working at 30 kg pressure but not affected.
- Endurance test on reel rotation; After over 3000 rotation, hose reels show no visible leakage.
- Our swinging hose reels shall be able to swing 1000 times to minimum 170° and also show no visible leakage or damage;
- High pressure spray; The nozzle can be adjusted to jet/spray;
- Our hose reels can be also used for cleaning when used for fire fighting.



Fire Cabinets

Bristol Cabinets have an attractive and compact design with high universal quality standards. Bristol Cabinets can be surface mounted or recessed with architrave and 180° swinging action doors and center pivot door. Bristol cabinets come in mild steel finish and stainless steel finish.

Single Cabinet

Features

- Suitable for side or door mounted hose reel
- Suitable to fit one Bristol hose 2.5" complete with accessories and one Bristol Landing valve 2.5"
- Suitable to accommodate one Bristol Fire hose and fire Extinguisher
- Cabinet available in solid door and with glass
- Cabinet available on surface mounted and recessed
- Cabinet available with round hinges and stainless steel hinges
- 5kg CO2 Kite Mark required cabinet with height of 85cm

Specifications

Materials:	Mild Steel / Stainless Steel
Standard Dimensions :	H700mm x W700mm x D300mm (Surface Mounted & Recessed Mounted) H800mm x W800mm x D300mm (Surface Mounted & Recessed Mounted)
Front Fascia:	Powder Coated / SS Hairline / SS Mirror
Back Box:	Powder Coated / SS Hairline / SS Mirror
Hinge:	Round Bar / SS Piano Hinges
Lock :	SS Round Latch Lock

Model Series	Type of Cabinet
BFE-CFHS	Fire Hose Cabinet
BFE-CFHR	Fire Hose Reel Cabinet





Double Vertical Cabinet



Features:

- Upper compartment fits one Bristol Hose Reel. Lower compartment can fit up to 3 nos. of either 4.5kg or 6 kg DP Extinguisher, 9 liters water / foam extinguisher or 2kg Co2 extinguisher
- Upper compartment fits one Bristol fire hose 2.5" complete with accessories and one Bristol landing valve. Lower compartment can fit up to 3nos of either 4.5kg or 6kg DP extinguisher, 9 liter water / foam extinguisher or 2kg Co2 extinguisher
- Upper compartment fits one Bristol Hose Reel.
- Fits one Bristol Fire Hose 2.5" complete with accessories and one Bristol Landing Valve 2.5"
- Lower compartment of cabinet with 5kg Co2 Kite mark, and upper compartment cabinet with Hose Reel, cabinet size should be 1600mm x 800mm x 300mm.
- 5kg Co2 Extinguisher Kite Mark, required cabinet height of 85 cm

Specifications

Materials:	Mild Steel / Stainless Steel
Standard Dimensions :	H1400mm x W700mm x D300mm (Surface Mounted & Recessed Mounted) H1600mm x W800mm x D300mm (Surface Mounted & Recessed Mounted)
Front Fascia:	Powder Coated / SS Hairline / SS Mirror
Back Box:	Powder Coated / SS Hairline / SS Mirror
Hinge:	Round Bar / SS Piano Hinges
Lock :	SS Round Latch Lock
Options:	Fire Hose Reel & Fire Hose Cabinet Fire Hose Reel & Fire Extinguisher

Model Series	Type of Cabinet
BFE-CFHD	Fire Hose Reel & Fire Hose

Double Horizontal Cabinet



Specifications

Materials:	Mild Steel / Stainless Steel
Standard Dimensions :	H800mm x W1200mm x D300mm (Surface Mounted & Recessed Mounted)
	H800mm x W1200mm x D300mm (Surface Mounted & Recessed Mounted)
Front Fascia:	Powder Coated / SS Hairline / SS Mirror
Back Box:	Powder Coated / SS Hairline / SS Mirror
Hinge:	Round Bar / SS Piano Hinges
Lock :	SS Round Latch Lock

Features

- One Compartment house up to 2 nos. of either 4.5kg or 6kg DP Extinguisher, 9 liter. Water /Foam Extinguisher or 2kg and 5kg Co2

Extinguisher and the other compartment fits one Bristol Fire Hose complete with accessories and one 2.5" Bristol Landing Valve

- Bigger Compartment house Bristol standard Hose Reel. Small compartment suitable to fit 2 nos. of either 4.5kg or 6kg DP Extinguisher,

9 liters. Water /Foam Extinguisher or 2kg and 5kg Co2 Extinguisher. Cabinet available in solid door and with glass

- Cabinet available in solid door and wired glass

- Cabinet available on Surface mounted and Recessed

- Cabinet available with round bar hinges and SS piano hinges

- 5kg Co2 Extinguisher Kite Mark required Cabinet height of 85 cm

** Different Cabinet sizes are available upon request

Breaching Inlet Cabinet

Features

- Suitable for 2 way x 4" inlet breaching valve, or 4" way x 6" inlet breaching valve
- Cabinet available with Round bar hinges or stainless steel Piano hinges for SS Cabinet
- Breaching cabinet with wired mesh glass and rubber beading
- Cabinets available for Vertical or Horizontal position
- Standard color finished is red, alternative colors to customer requirement on request

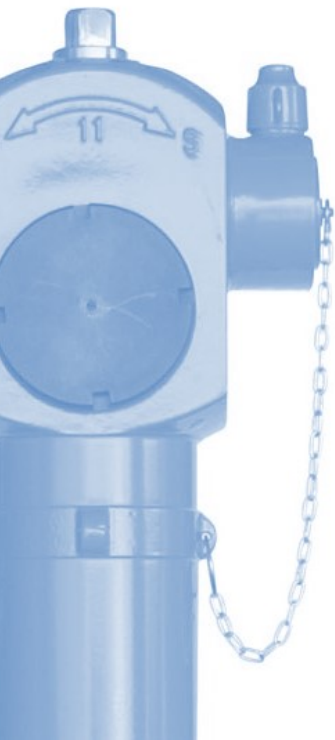


Specifications

Materials:	Mild Steel / Stainless Steel
Standard Dimensions :	H600mm x W600mm x D300mm (Surface Mounted & Recessed Mounted)
	H600mm x W400mm x D300mm (Surface Mounted & Recessed Mounted)
Front Fascia:	Powder Coated / SS Hairline / SS Mirror
Back Box:	Powder Coated / SS Hairline / SS Mirror
Hinge:	Round Bar / SS Piano Hinges
Lock :	SS Round Latch Lock

Fire Hydrants

Fire Hydrants are active fire protection measures, and connection points by which fire-fighters can tap into a water supply. Fire Hydrants can be classified as Wet Barrel where it is possible to turn the water supply on and off to each port, or Dry Barrel where the body remains dry until the main valve underground is switched on – both type offered by BRISTOL.



Six-way Manifold Hydrant

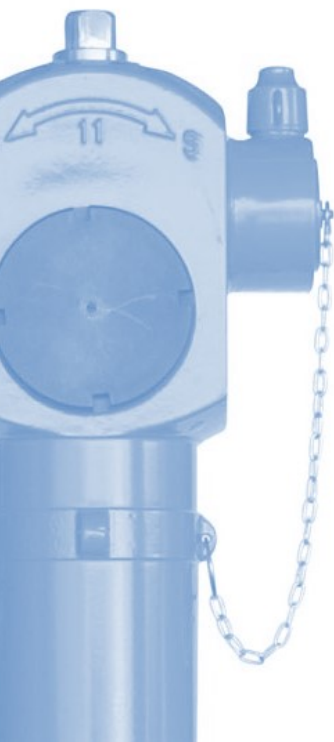
MODEL	MH300-4S150/2S300
Medium	Water
Max. Working Pressure	15bar (218psi)
Test Pressure	30bar (435psi)
Water Supply Velocity	4m/s
Inlet	ANSI B16.5 Class 150 Flange
Outlets	4x6" Storz Connection with Butterfly Valve
Body	Carbon Steel Seamless Pipe ASTM A53 Sch.40 Gr. B
Paint	Surface Preparation to code SSPC-SP-10 "Near

Prime Coat Vinyl (Dry Film Thickness 35 to 100 microns)

Finish Coat Acrylic Polyurethane (Dry Film Thickness 60 to 100 microns)

Options	Riser Diameter	Header Diameter	Header Flow Rate
A	20"	20"	12,000gpm
B	16"	16"	8,000 - 9,000gpm
C	12"	12"	4,500gpm

Dry Barrel Fire Hydrant, LPCB Approved



Dry barrel design eliminates damage to the hydrant caused by freezing or corrosion of the upper part.

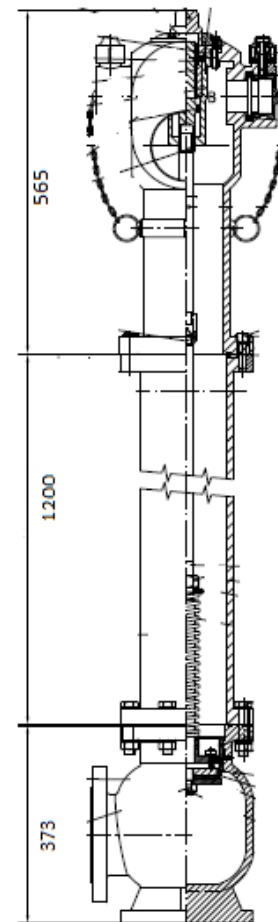
- Break away design to prevent accidents to the hydrants where only the upper part of the flange would be broken upon impact, When broken, still able to maintain seal does not leak.
- Simple rugged construction and easy to maintain.
- Automatic drain system drains the water in the upper part when the main valve is closed thus avoiding damage caused by freezing.



Cert. No. 1280Fa
EN 14384:2005

MODEL	BFE04/S	BFE04/B	BFE06/S	BFE06/B
D _N	4"		6"	
Inlet Type	Straight Flange PN16	Bend Flange PN16	Straight Flange PN16	Bend Flange PN16
Outlet Details	2 x 2.5" F Instantaneous 1 x 4" BSRT Pumper Coupling			
Valve Type	Globe Valve			
Standard	BS EN 14384			
Full Opening	10 ½ Turns			
Minimum Opening	2 ½ Turns			
Body Material	Cast Iron + Ductile Iron			
Working Pressure	16bar			
Test Pressure	24bar			

Coating
Upper Body Inside & Outside: Red Color Plastic Powder Coating
Lower Body Inside & Outside: Black Color Plastic Powder Coating

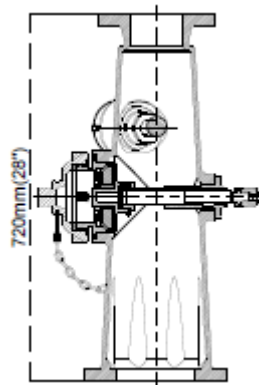
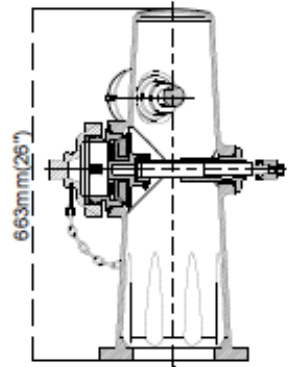


Wet Barrel Fire Hydrant

This type of hydrant is equipped with outlet valves which has pressurized water at every outlet constantly. Wet Barrel Hydrants are used in conditions where there no possibility of water freezing due to weather condition.



LISTED EX28602



TECHNICAL SPECIFICATION

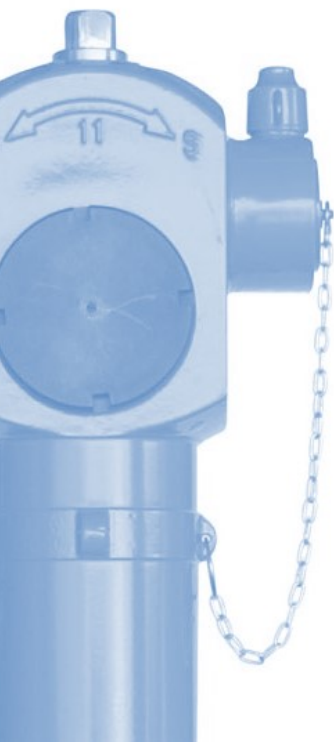
Hydrant Body	: Ductile Iron (A536 65-45-12)
Design Standard	: FM1511/UL246/AWWA C503
Nozzle Standard	: NFPA 1963
Working Pressure	: 250 PSI
Design & Oper. Temp.:	: 4 °C to 80 °C
Monitor Flange	: Size:4"-ANSI Class 125
Pipe Flange	: Size:6"-ANSI Class 125

MODELS	HOSE NOZZLE	PUMPER NOZZLE	MONITOR FLANGE	PIPE FLANGE
HW225	2-1/2" x 2	4-1/2" Pumper Connection x 1	--	6"
HW225M	2-1/2" x 2	4-1/2" Pumper Connection x 1	4"	6"
HW224	2-1/2" x 2	4" Pumper Connection x 1	--	6"
HW224M	2-1/2" x 2	4" Pumper Connection x 1	4"	6"
HW22	2-1/2" x 2	--	--	6"
HW22M	2-1/2" x 2	--	4"	6"
HW125	2-1/2" x 1	4-1/2" Pumper Connection x 1	--	6"
HW125M	2-1/2" x 1	4-1/2" Pumper Connection x 1	4"	6"
HW124	2-1/2" x 1	4" Pumper Connection x 1	--	6"
HW124M	2-1/2" x 1	4" Pumper Connection x 1	4"	6"

Wet Barrel Fire Hydrant, Non Approved

This type of hydrant is equipped with outlet valves which has pressurized water at every outlet constantly. Wet Barrel Hydrants are used in conditions where there no possibility of water freezing due to weather condition.

MODEL	BF-WT04	BF-WT06
Working Pressure	10bar	
Test Pressure	20bar	
Inlet	DN100 Flange EN1092 PN16	DN150 Flange EN1092 PN16
Outlet	2x Oblique Landing Valve DN65 Female Instantaneous BS336 with Cap and Cabin	
Total Height	915mm	
Body Material	Carbon Steel	
Valve Material	LG2	



Over 100 Distributors Worldwide

UAE Offices

Abu Dhabi

Concorde Trading Company

Tel: +971 2 6668770 Fax: +971 2 6667863

Concorde Trading Showroom

Tel: +971 2 4433317 Fax: +971 2 4434746

Concorde Technical Company

Tel: +971 2 5575551 Fax: +971 2 5575550

Bristol Vehicles Manufacturing Division

Tel: +971 2 5575551 Fax: +971 2 5575550

Al Ain

Concorde Trading Company

Tel: +971 3 7642267 Fax: +971 3 7642268

Sharjah

Corodex Agencies

Tel: +971 6 5430800 Fax: +971 6 5430801

Dubai

Corodex Trading Company

Tel: +971 4 3472900 Fax: +971 4 3472796

Corodex Agencies (Fire Protection & Automation)

Tel: +971 4 3472530 Fax: +971 4 3472501

Bristol Fire Engineering

Tel: +971 4 3472426 Fax: +971 4 3472363

Corodex Agencies (Safety & Rescue)

Tel: +971 4 2668966 Fax: +971 4 2624617

International Offices

Oman

Integrated Engineering Solutions (IES)

Tel: +968 24700349 Fax: +968 24700631

KSA

Concorde Advance Technical Solutions

Tel: +966 12 6984993 Fax: +966 12 6984991

BRISTOL
FIRE ENGINEERING

P.o.Box 74582 Dubai, UAE

Tel: +971 4 3472426 Fax: +971 4 3472363

Email: sales@bristol-fire.com, www.bristol-fire.com

Member of



Since 1974

Concorde - Corodex Group



Intertek



NFPA

FM

APPROVED



UL

LISTED



CE



LPCB



UKAS



BUREAU VERITAS